



1.

## 4.

- 4.1 SJT-WVF5  
 4.2  $(W_m - W_q) / 100$   
 4.3 -10 60  
 4.4 1T 2T 3T  
 4.5 x125%  
 4.6 CAN v2.0B  
 4.7 15-25VDC  
 4.8 200mA

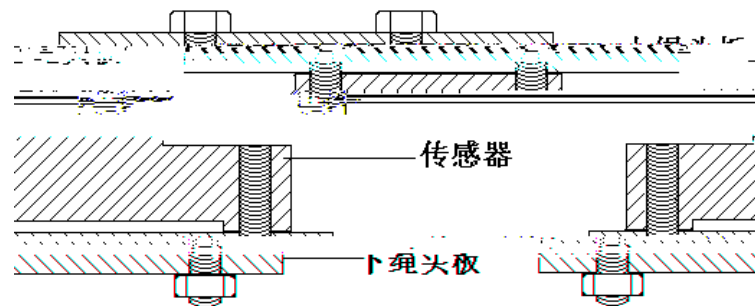
$W_m$  :

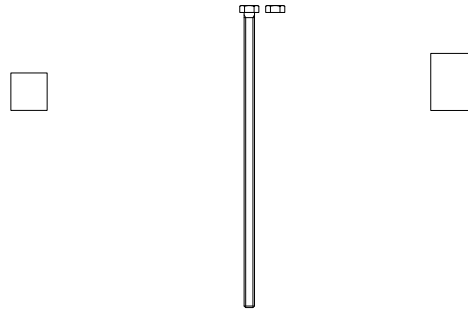
$W_q$  :

## 5.

5.1

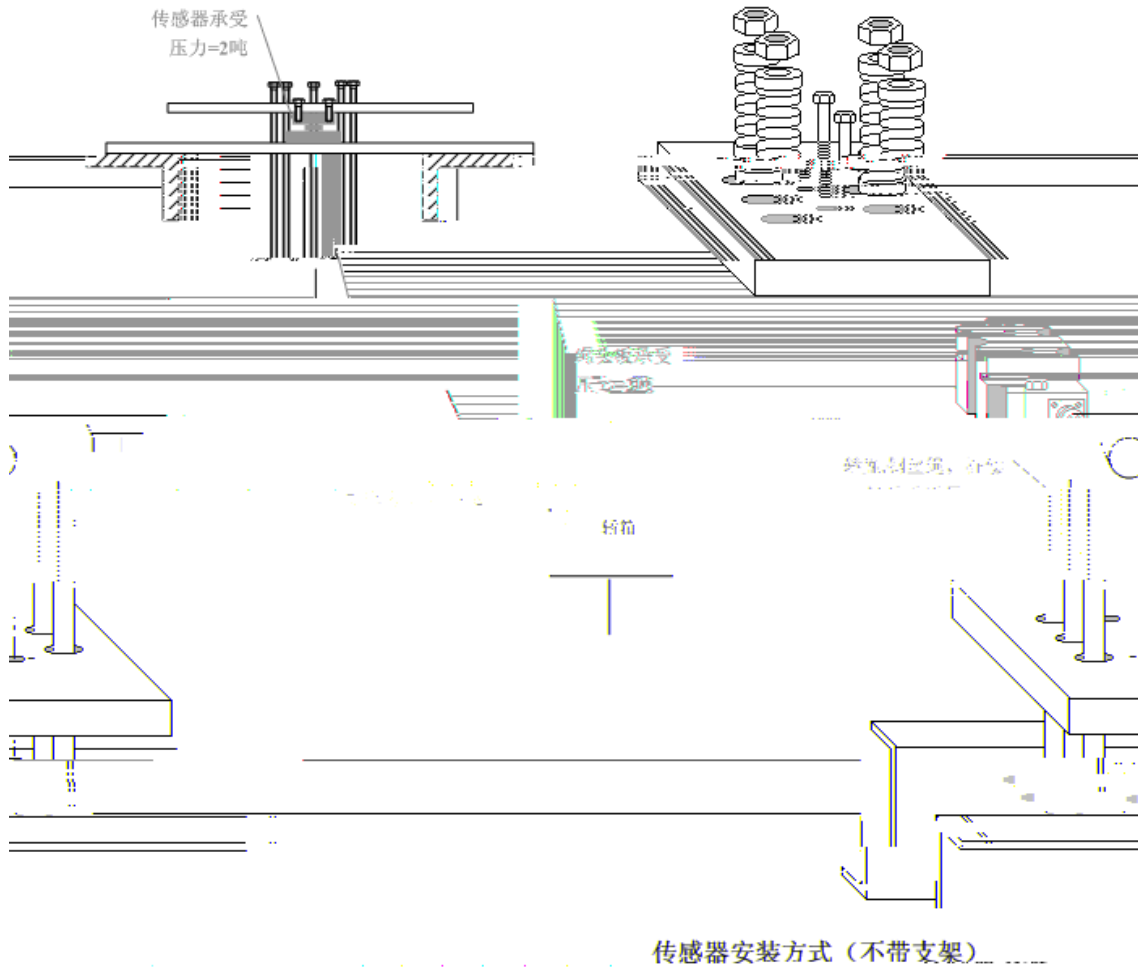
5.2



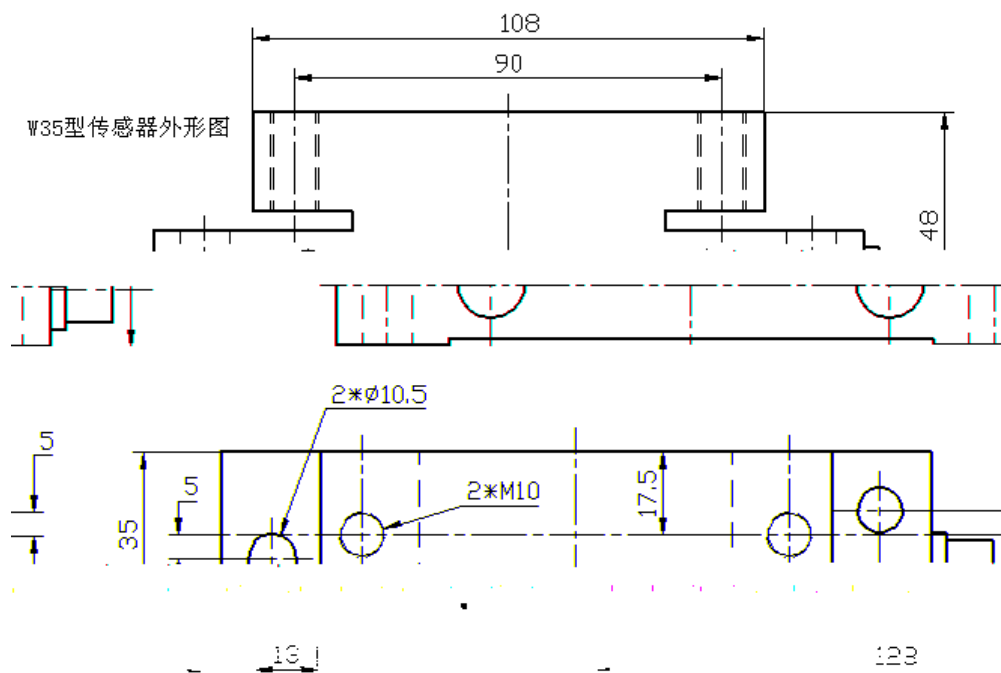


5.2

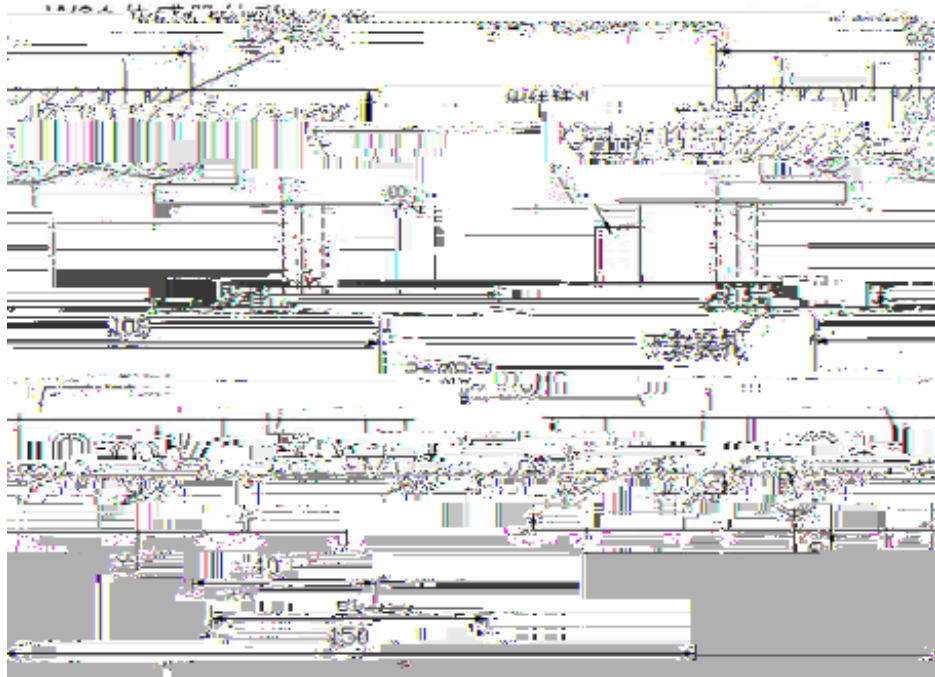
- a.
- b.
- c.



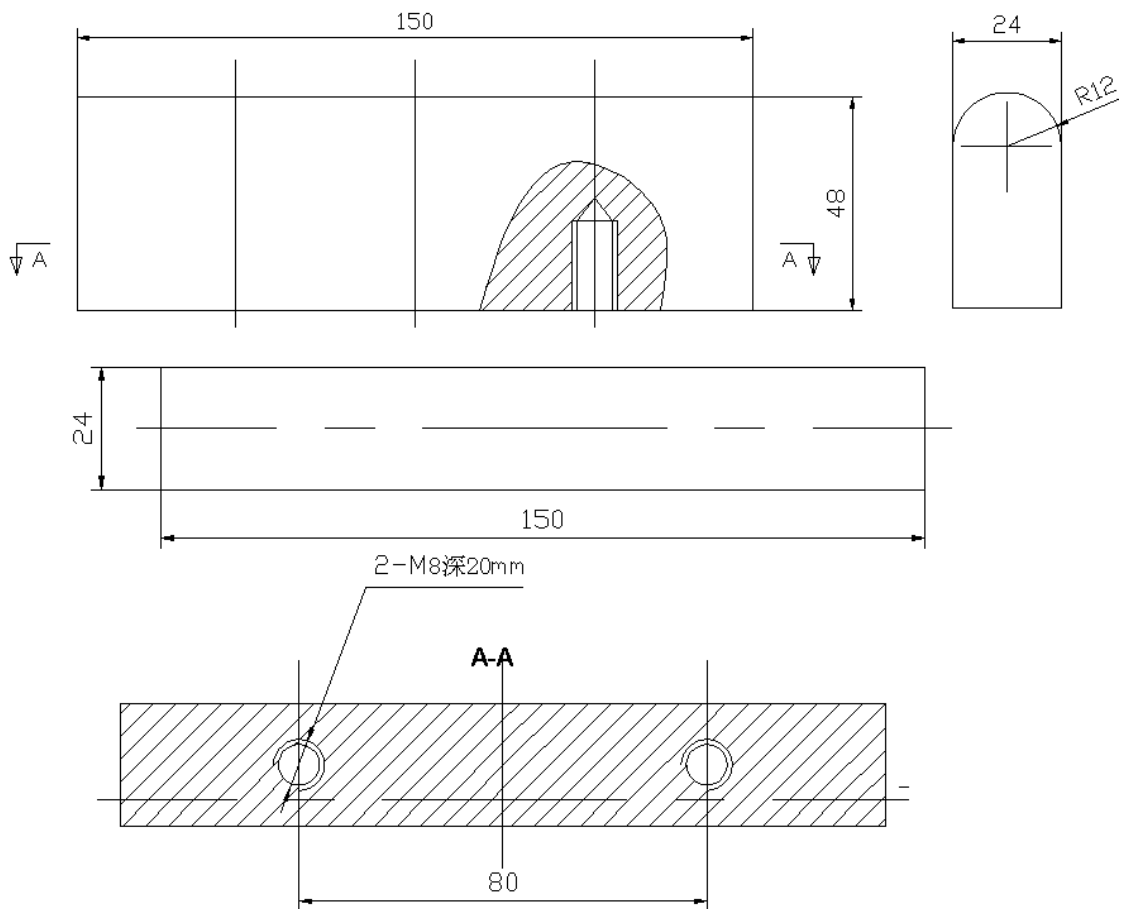
5.3



5.4 V35



5.5 W24



5.6

## 6.

6.1

10

1 RT+	CAN	C+
2 RT-	CAN	C-
3 +24V	24V	+24V
4 GND	24V	GND
5 AN1+		S+
6 AN1-		S-
7 V+		V+
8 V-		V-
9 AN2+		
10 AN2-		

1

2 100%

3

4

7.2.2

1

2 100%

3

4

5